

## ED350

### 1/3" 560 TVL Color Mini Dome Camera



#### Features

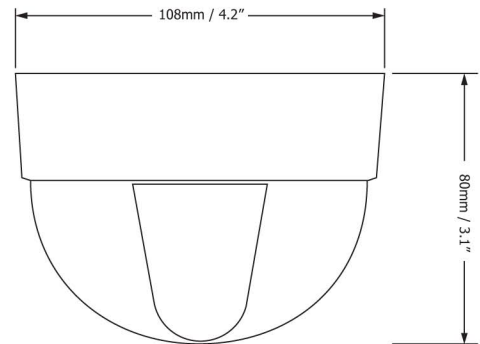
- 1/3" Sony Super HAD CCD image sensor with approximately 410,000 pixels
- 560 TVL of horizontal resolution
- Revolutionary integrated 10-bit Digital Signal Processor (DSP) delivers sharp color images and excellent picture quality
- Low light sensitivity 0.5 lux/F=1.2
- Wide-range automatic electronic shutter: up to 1/100,000
- Manual zoom lens with adjustable viewing range
- Pure Vision Technology



#### Specifications

Pickup Device	Sony 1/3" Interline Transfer Super HAD CCD
Video Format	NTSC or PAL
Picture Format	768 x 494 NTSC / 752 x 582 PAL
Horizontal Resolution	560 TVL
Video Output	BNC 1.0 Vp-p, 75 ohm
Sensitivity	0.5 lux/F=1.2
S/N Ratio	Over 48dB (AGC on)
Electronic Shutter	1/50 (1/60) ~ 1/100,000 sec.
Flickerless	On/Off switch
Backlight Comp.	On/Off switch
Auto Gain Control	On/Off switch
Auto White Balance	Yes
Gamma Correction	0.45
Lens	f=3.8mm~9.5mm/F=1.2 or f=9~22mm/F=1.6
Power Source	12VDC / 24VAC
Iris Level	Adjustable
Dimension (Approx.)	108 (D) x 80 (H) mm / 4.2" (D) x 3.1" (H)
Operating Temperature	0°C~40°C / 32°F~104°F (20~80% humidity)
Power Consumption	24VAC, 5W max. / 12VDC, 3.5W max.

#### Dimensions



(Unit: mm/inch)

#### Package Contents

- Camera x 1
- AV Cable x 1
- Power Cable x 1
- Desiccant x 1
- Mount Screws (package) x 1
- Manual x 1

#### Ordering Information

- **ED350/N-1:** 560 TVL Color Mini Dome, 3.8~9.5mm Lens, Gold Base
- **ED350/NW:** 560 TVL Color Mini Dome, 3.8~9.5mm Lens, White Base
- **ED350/NB:** 560 TVL Color Mini Dome, 3.8~9.5mm Lens, Black Base
- **ED350/N-2:** 560 TVL Color Mini Dome, 9~22mm Lens, Gold Base